

• *Easy Cleaning*

• *High Efficiency*

• *For Commercial Use*

Dasin

ST300

AUTOMATIC INSTANT

HEATING TEA BREWER Manual

Standard Version, Advanced Version

Quality · Service · Innovation

www.dasin-tw.com

Dasin 達鑫機械有限公司
DASIN MACHINERY CO., LTD.

No.30, Ln.168, Sec.1, Dunhuang Rd., Caotun Township,
Nantou County 54257, Taiwan
TEL: +886-49-2318-335 FAX: +886-49-2314-063
E-mail: info@dasin-tw.com



En

• Handling should be done by personnel with adequate training.

■ INSTALLATION INSTRUCTIONS :

- For your safety and to keep the machine running properly, please have it installed by a qualified technician. Make sure to read the manual carefully and follow the instructions. Improper installation could lead to damage or safety issues, and might also affect your warranty.
- This machine should be connected to a dedicated 20A circuit breaker (non-fuse type), and it's important to connect the ground wire correctly. Proper grounding helps protect the machine during electrical issues or even lightning strikes, though damage from natural disasters isn't covered under warranty.
- We recommend using clean, filtered water to avoid letting impurities into the system. This helps extend the life of the machine and reduces the chances of malfunctions. Any issues caused by poor water quality won't be covered by the warranty.
- The standard water inlet hose is a 1/4-inch RO tube. The water flow should be at least 500cc per minute. If the flow is too slow, the machine will show a warning. Please make sure your water supply is sufficient—you might need to use a larger pipe or add a booster pump if necessary.
- When the machine needs to be sent for repair or relocation, be sure to first turn off the water supply and drain the water tank. This will prevent water from overflowing during transport and causing damage to electronic components.
- After the first installation and startup, the machine will automatically fill with water. It usually takes about 5 minutes to reach full level.

Please Save The User Manual

■ CAUTION

- Before using, make sure the water supply is functioning properly. If the tank doesn't detect a high-water level, the tea brewing won't work.
- Always place the tea bucket in the correct position before starting. Avoid touching it during the brewing process to prevent burns. (If the bucket isn't positioned correctly, the machine won't start.)
- Make sure to place a container under the tea outlet during brewing to avoid spills.
- After brewing, discard the tea leaves, clean the bucket thoroughly, and add some water to check for leaks. (If there's a leak, remove the water outlet components for a deeper clean.)

⚠ DANGER

- Please read all instructions carefully before use.
- Only use tea leaves—do not put in other substances, as this could cause damage or safety risks.
- If the plug or power cord is damaged, stop using the machine and contact the manufacturer or a professional for replacement to ensure safety.
- Once the tea brewing mode is activated, wait for the automatic dispensing to finish before removing the tea bucket to prevent accidents.
- Do not use non-original or unapproved accessories or parts, as this may void the warranty.
- This product is not suitable for independent use by children, individuals with sensory or cognitive impairments, or those unfamiliar with the machine's operation. They should use it only with supervision from someone responsible for safety.

■ PRODUCT FEATURES

- Standard Version
 Advanced Version(Wi-Fi / USB)

- ※ Instant heating
- ※ Preheating System
- ※ Stirring Apparatus
- ※ Safety Design
- ※ Human Computer Interface
- ※ IoT - Cloud Sync Update, USB Update

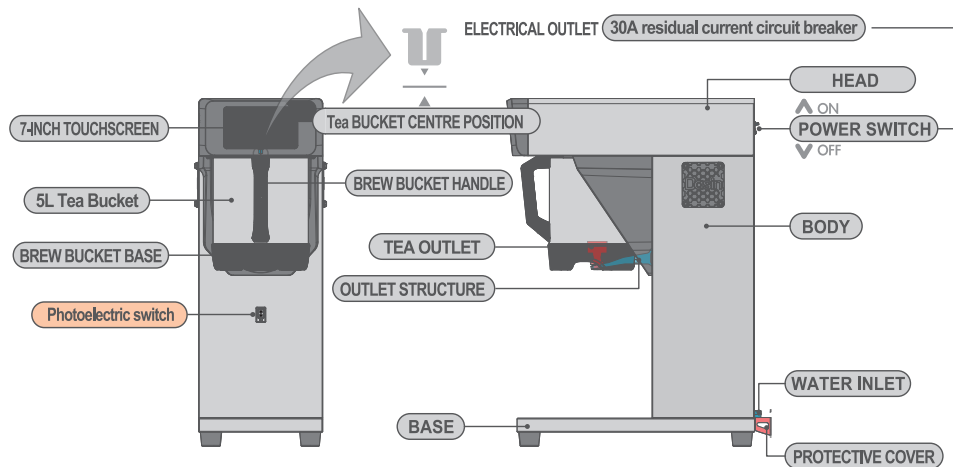
■ PRODUCT INTRODUCTION

- Standard Version
 Advanced Version(Wi-Fi / USB)

1.SPECIFICATIONS :

	Standard Version (ST300 / ST300-Heightened)	Advanced Version (ST300-USB / ST300-Wi-Fi)
Power	4200W	
Volts	220V / 50~60HZ	
N.W	20KG / 21KG	21KG
G.W	25KG	26KG
Dimension	56X26X74CM / 56X26X83CM	56X26X83CM
Water Drainage	5000cc/97°C/270S	5000cc/97°C/150S
Water Filling	Automatic	
Apply To	Tea Leaves / Coffee Powder	
Tea Bucket Material	SUS304	

2.PARTS DESCRIPTIONS



■ OPERATION INSTRUCTION

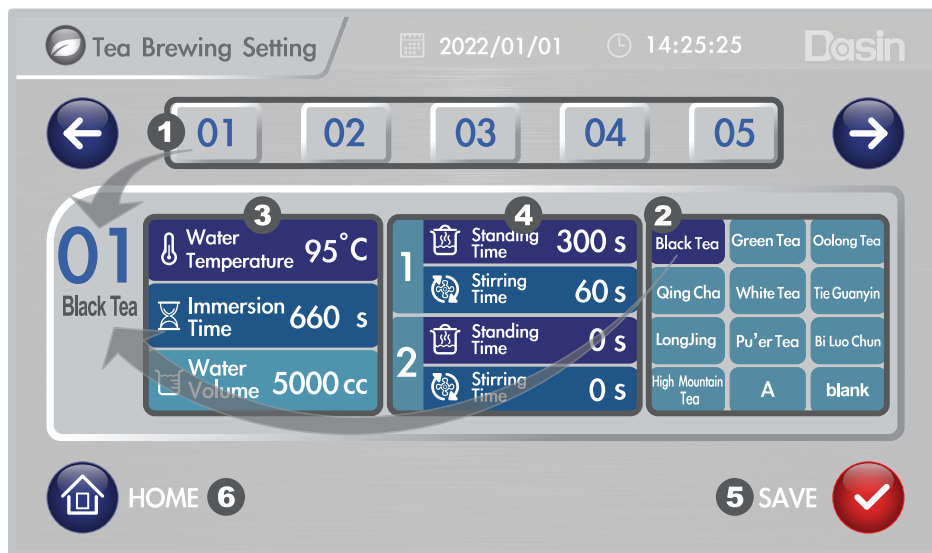
- Standard Version
 Advanced Version

1 · PROGRAMMING GUIDE



- ① Press the DATE to check the frequency of use.
- ② Select 01~20 for different tea brewing recipe, press to show 11~20, press to return to the previous page.
- ③ Parameter settings for Date & Time/Change passcode/Frequency of Use /Advanced Settings/Tank Drain/Reset All Settings/中文/English/Maintenance Testing/**Network connection settings.**
The default password for parameter settings is 8888, please enter new password after changing the default password.
- ④ 20 groups of tea brewing configurable settings (tea type/water volume/immersion time/temperature/stir/standing time).
The default password for tea brewing settings is 0000, please enter new password after changing the default password.
- ⑤ USER GUIDE:
 - INSTALLATION INSTRUCTIONS
 - MAINTENANCE TESTING
 - SPECIFICATIONS
 - CLEANING INSTRUCTIONS
 - ERROR CODES
 - NETWORK CONNECTION SETTINGS
- ⑥ When connected to Wi-Fi, it displays white ; if not connected, it displays gray .

2 · BREWING SETTINGS



- ① Press to select 01-20 for 20 groups of tea brewing recipe
- ② The selected type of tea will be displayed on the left of the setting box.
(Type of tea will not be shown when select BLANK)
- ③ Water temperature setting(80°C~97°C)/(80°C~99°C), Immersion time setting (1s~3000s), Water volume setting(100cc~5000cc)
- ④ Settings for two sections of standing time and stirring time (input 0 second as parameter when there is no need of standing and stirring), will popup when the set value is higher than immersion time.
- ⑤ **SAVED** will be displayed on the screen when press SAVE to complete settings. (For more settings of other types of tea, repeat step ① ~ ⑤.)
- ⑥ Press to go back to the home page.

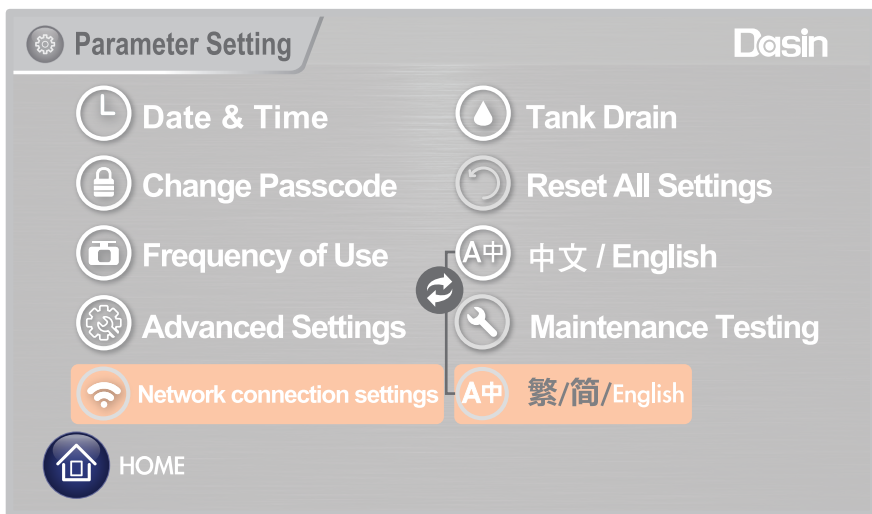
Note: Options ②, ③, and ④ can be updated and configured via USB or Wi-Fi

3 · BREWING SCREEN



- ① Press to start brewing , when turns grey, it's unable to return to home page,press to stop **Stop brewing** , and return to the home page (turns blue).
- ② If is displayed on the screen after pressing start, the brewer will start to brew after preheating.
- ③ Tea Brewing Parameter
- ④ Standby—tea bucket in position—water filling—stirring—standing—tea out—complete.

4 · PARAMETER SETTING



 **Date & Time** : YEAR/MONTH/DAY HOUR/MINUTE/SECOND



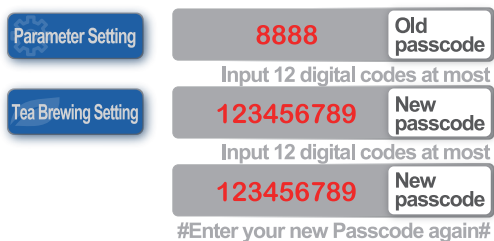
Change Passcode

Select **Parameter Setting** or **Tea Brewing Setting**

Factory default for parameter setting: 8888

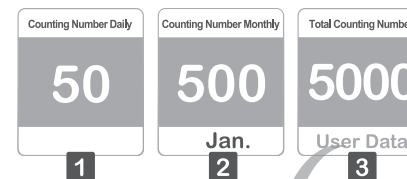
Factory default for brewing setting: 0000

Enter maximum 12 digital code to change password for improving security.



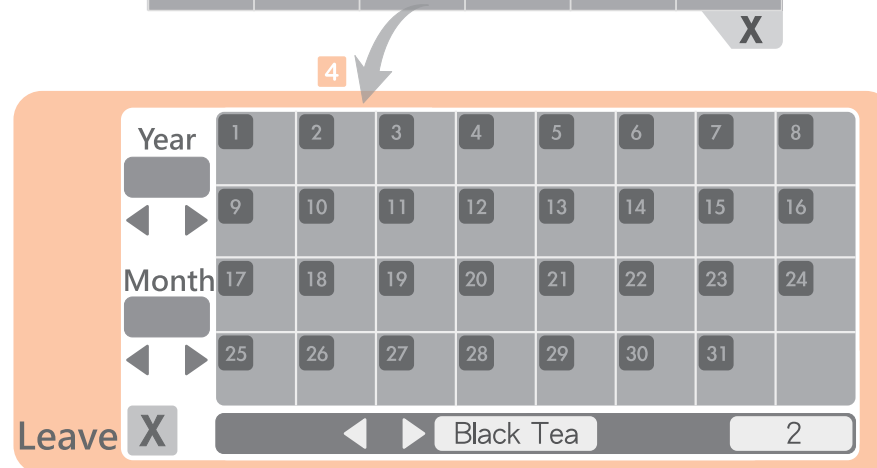
Frequency of Use

- Day** : frequency of use on the day
- Month** : frequency of use on the month
- Record search** : select year and month to search the record
- Monthly tea usage statistics**



< 2022 >

Jan.	Feb.	Mar.	Apr.	May.	Jun.
500	500	500	500	500	500
Jul.	Aug.	Sept.	Oct.	Nov.	Dec.
500	500	500	500	0	0



Advanced Settings (for professionals)

1 Data Monitoring **ON/OFF** 2 Alert for completion of tea brewing **ON/OFF** Data display **ON/OFF**

3 Outflow Time Setup <=2500cc **60** <=2500cc **65** <=4500cc **75**

4 Outflow Mode Setup General **Red** Advanced **Green**

5 Supplementary Water Volume **105** **1K** **2K** **3K** **4K** **5K**
 1K<=1000 1000<2K<=2000 2000<3K<=3000 3000<4K<=4000 4000<5K<=5000

Supplementary Water Volume **105** ±1 adjusts the water by 10cc when the volume is 1000cc.
 ±1 adjusts the water by 50cc when the volume is 5000cc.

6 Energy Saving Settings 15 min **Green** 30 min **Red** 60 min **Red**
 If no action during a set time, the brewer will stop automatic preheating.

7 Preheating Automatic **Green** Non-automatic **Red**
 Start with automatic preheating Preheating before tea brewing

8 Tea brewing **80**
 Temp range:70~85 degree

1. Data Monitoring

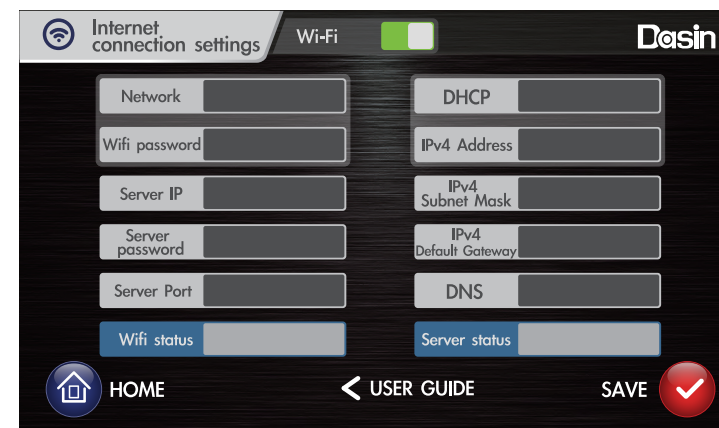
Outflow time	60	K-type1	55	Outflow time	60	K-type1	55
Preheating	45	K-type2	97	Current	17	K-type2	97

Electromagnet: outflow time
 K1 water tank: water tank temperature
 Preheating: water tank preheating temperature
 K2-water outlet: water outlet temperature

Electromagnet: outflow time
 K1 water tank: water tank temperature
 Current : Current Value
 K2-water outlet: water outlet temperature

2. 3 times of reminder alert when completing tea brewing.
3. Configurable for different water volumes.
4. Water outlet: general (click one time)/advanced (click three times)
5. Increase water volume separately for each range. (Default: No additional water volume.)
 No independent increase in water volume value (CC) for each section
6. The device can be set to energy-saving mode after 15, 30, or 60 minutes of tea preparation.
7. Energy-saving settings: The device can automatically preheat upon startup or before tea preparation.
8. Factory default settings 80°C
 No settings required

NETWORK CONNECTION SETTINGS



1

Dasin	
Dasin_office	
Dasin_guest	

Connection Method

1. Select the network name
2. Enter the password
3. Press SAVE
4. "Login successful" appears, indicating a successful connection

Disconnecting Method

5. Disconnect and press SAVE



*Advanced Version - Wi-Fi

Cloud Sign-In & Usage

- *Cloud Interface Operating Instructions
- *Cloud Data Management System Login
<https://apps.dasin-tw.com/apps/adminn/#/login>
- *Cloud Account and Password Application



Cloud Interface Operating Instructions



Cloud Data Management System Login



Cloud Account and Password Application

Cloud Platform Disclaimer

The Wi-Fi function and related data management of the Dasin Wi-Fi Smart Automatic Tea Brewer are maintained and managed by Dasin Machinery Co., Ltd. (hereinafter referred to as "the Company").

The data generated during the operation of this equipment (including but not limited to tea brewing parameters, usage records, and fault information) will be transmitted via the internet and stored on the Company's servers for product improvement, after-sales service, and other related purposes.

The Company will comply with relevant legal regulations and take reasonable and appropriate measures to maintain data security and privacy. However, the Company assumes no legal responsibility for any data leakage or loss caused by force majeure, third-party illegal intrusion, or network failures.

For large customers with special needs, the company offers a one-time purchase option for an independent system. Once paid, the customer fully owns the system and controls all data. The customer is responsible for system maintenance and security. After delivery, the company is no longer responsible for data protection.

Before activating the device, customers must carefully read this disclaimer.

Activation signifies full understanding and acceptance of the stated terms.

For more information or inquiries, please contact our customer service team.

Sincerely,
DasinMachinery Co., Ltd.

*Advanced Version - USB

USB Usage



USB Update Instructions



Application Download


MAC
12

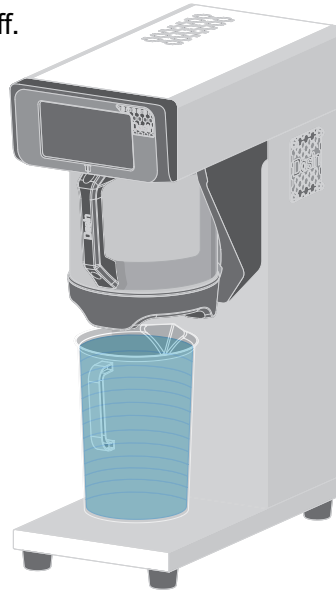


Application Download

Windows

Water Tank Drain

1. Before draining, be sure to confirm that the water source switch has been turned off.
2. Place the tea barrel inside the machine. The water tank capacity is 7000 ml, so prepare a container to collect the water.
3. On the main screen, tap  to enter the “Technical Manual” page. Find the “Maintenance Test” option, then select “Drainage Test”. Tap **ON/OFF** to switch to **ON/OFF** and the drainage will begin. Tap again **ON/OFF** to switch to **ON/OFF** and the drainage will stop.



Reset All Settings

Press RESET to factory default.

中文 / English

Language : Chinese/English.

Confirm Traditional Chinese or English version before shipment.

Maintenance Testing

TANK DRAIN	ON/OFF
MOTOR TESTING	ON/OFF
PUMP TESTING	ON/OFF
OUTFLOW TESTING	ON/OFF

Make sure to shut off the water supply before draining the water.

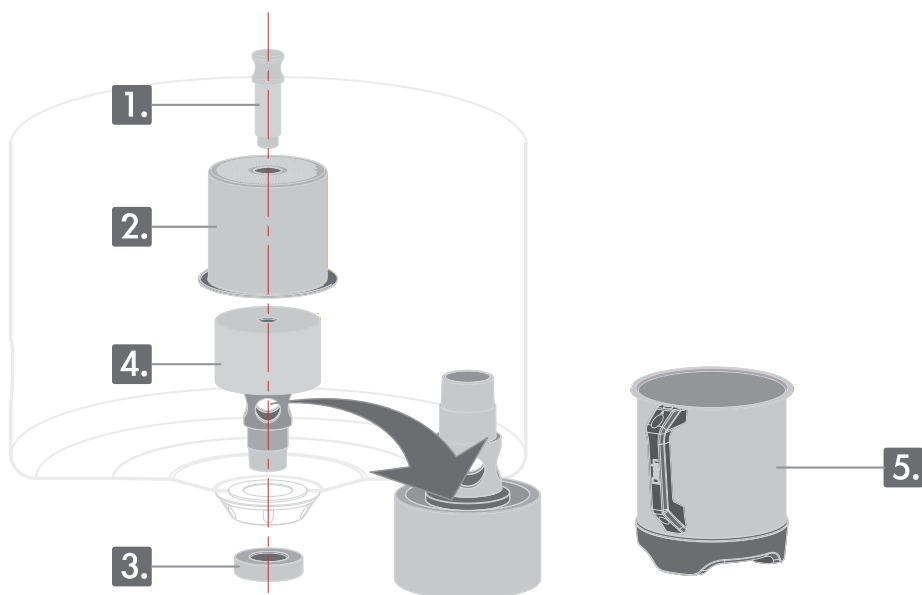
Supplementary Water Volume	<input type="checkbox"/>	<input checked="" type="checkbox"/> 1K	<input type="checkbox"/> 2K	<input type="checkbox"/> 3K	<input type="checkbox"/> 4K	<input type="checkbox"/> 5K
		1K<=1000	1000<2K<=2000	2000<3K<=3000	3000<4K<=4000	4000<5K<=5000

Supplementary Water Volume	<input type="checkbox"/>	<input checked="" type="checkbox"/>	<input type="checkbox"/>	<input type="checkbox"/>	<input type="checkbox"/>	<input type="checkbox"/>
			± 1 adjusts the water by 10cc when the volume is 1000cc.	± 1 adjusts the water by 50cc when the volume is 5000cc.		

1. Make sure to close the water inlet valve before drainage.
2. Check motor for any exception.
3. Check PUMP for any exception.
4. Check electromagnet for any exception.
5. Increase water volume separately for each range (no increase for factory default).












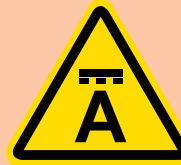
No fine-tuning needed due to functionality upgrade.

5 · DISASSEMBLING & CLEANING



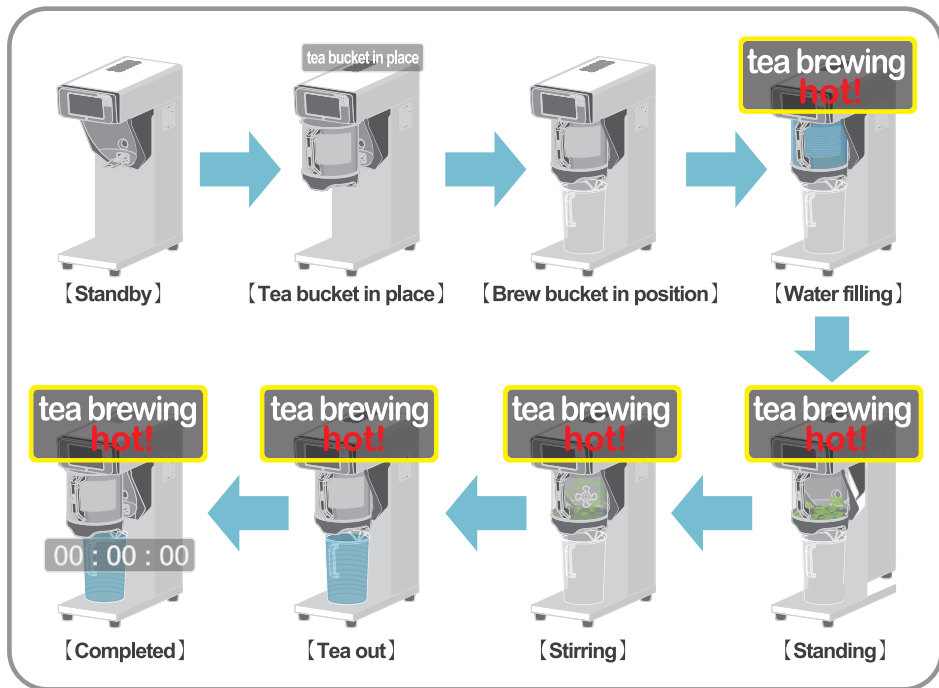
1. Unscrew the knob of the sieve.
2. Remove the sieve.
3. Unscrew and remove the water outlet knob.
4. Clean the foreign object on the waterproof gasket.
5. Clean and wash the brew bucket.
6. Reassemble the brew bucket (step 4~3~2~1) and make sure there is no more leakage.

6 · ERROR CODES

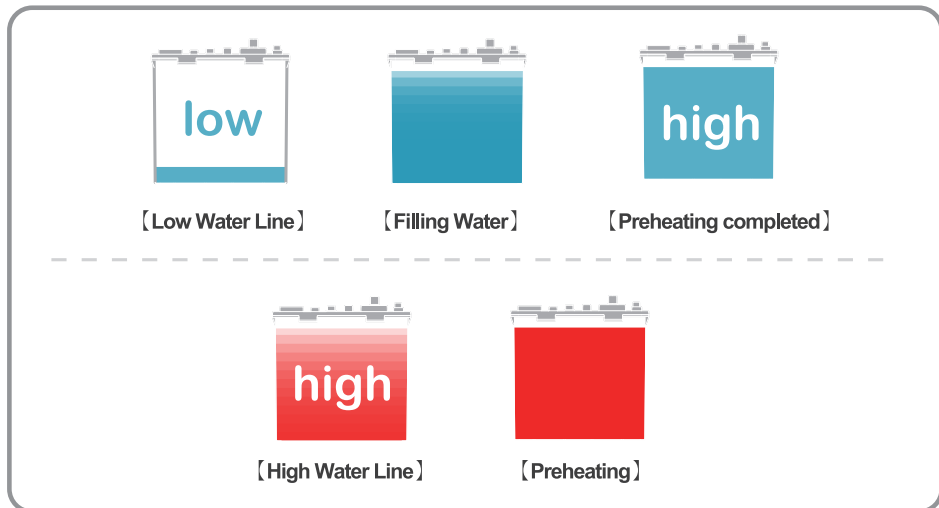
Temp. Error		K-TYPE abnormal error	
			
abnormal water temperature	abnormal water temperature after heating	Water tank temperature sensor error	Water outlet temperature sensor error
Water Level Error		Hardware abnormal error	
			
abnormal water volume	abnormal water outflow	Hardware error	Heating temperature sensor error
System Error		AC hardware abnormal error code	
			
enter wrong data	no connection	AC voltage error	AC current error

Upgraded abnormality detection, fasted issue diagnosis.

7 · Brewing Process



8 · Water Tank Status Instruction



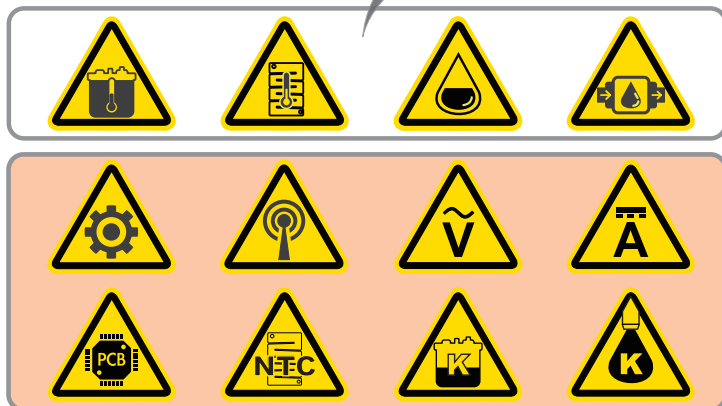
9.Operation Instruction

<p>CAUTION</p> <p>Tea Bucket Removed Continue: put tea bucket back to place Complete: press STOP and leave</p> <p>CAUTION</p> <p>Tea container position Put tea container under tea bucket</p> <p>【Tea Bucket Removed】 【Tea Container Placing】</p>	<p>NOTE</p> <p>Water tank input error check water tank</p> <p>【Water tank input error】</p>
<p>CAUTION</p> <p>Parameter memory error Reset to factory default</p> <p>NOTE</p> <p>fault detection parameter restart</p> <p>【Parameter memory error】 【Detection failure】</p>	<p>Manual operation</p> <p>【Manual operation】</p>

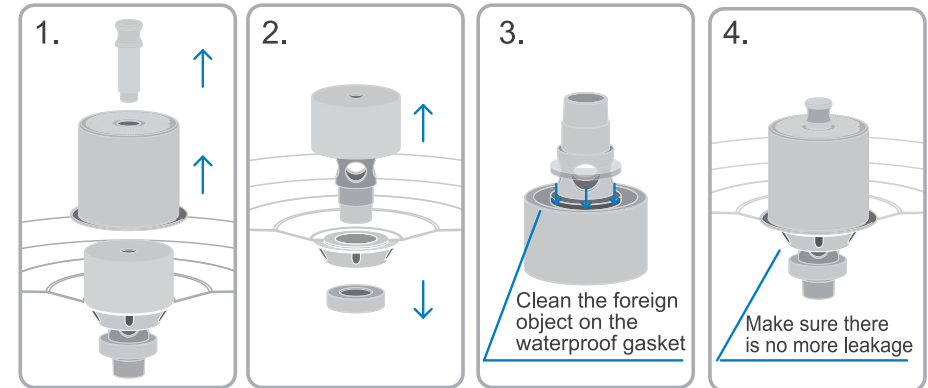
10 · TROUBLESHOOTING

【A. Remedy for detected fault】

- When a fault is detected, press “**fault detection parameter restart**” to start detection, continue to use the machine if there are no problems detected.
- When a fault is detected, press “fault detected and restart parameter” to start detection, if the error codes jump out again, please return the machine back to the factory repair.

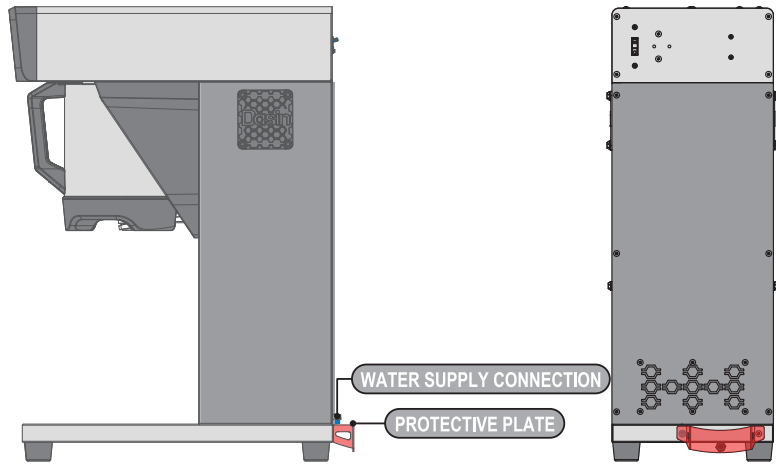


【Remedy for tea bucket leakage】



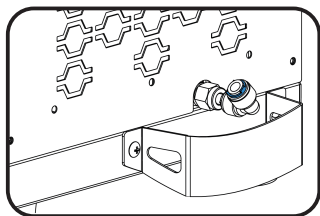
- Unscrew the knob of the sieve and remove the sieve.
- Unscrew and remove the water outlet knob.
- Clean the foreign object on the waterproof gasket.
- Reassemble the water outlet knob and make sure there is no more leakage.

11.PLUMBING HOOK-UP

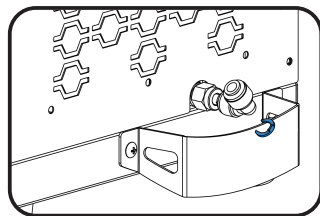


Water softener or water filtration system is suggested to use along with the brewer.

1

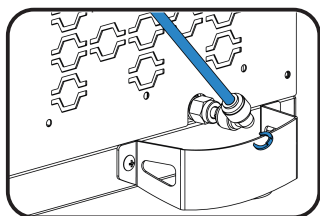


2



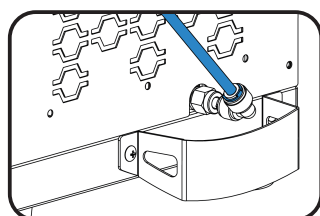
Remove the fixed buckle

3



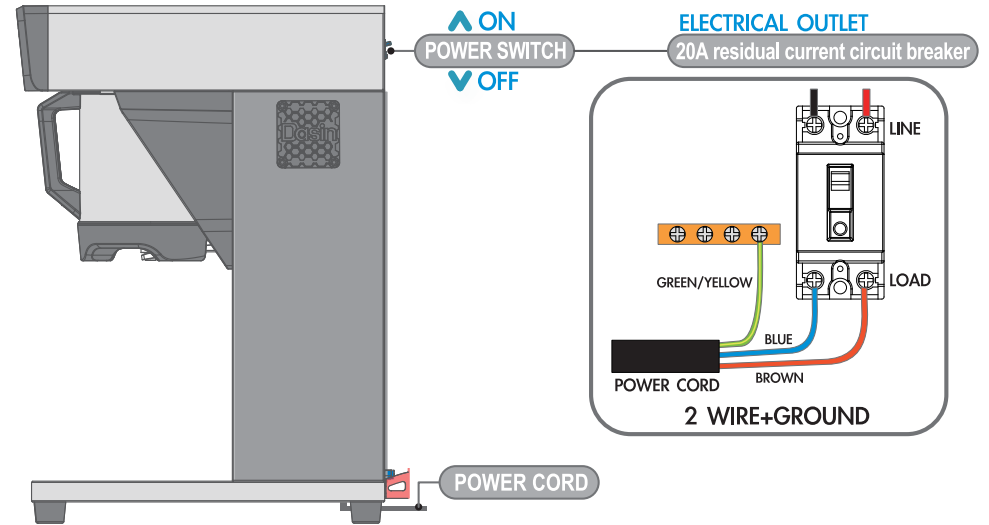
Install the RO pipe

4



Secure the fixed buckle back in place

12.ELECTRICAL HOOK-UP



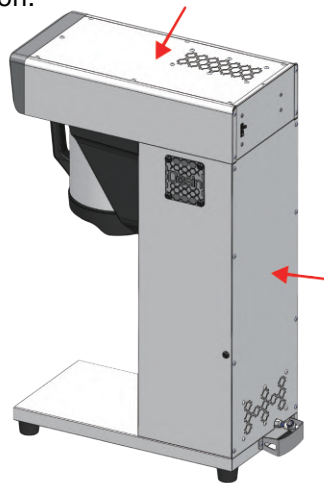
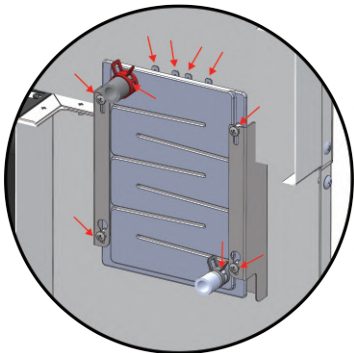
Note: This machine uses a leakage circuit breaker. Do not use another leakage circuit breaker for external connections—use a standard circuit breaker instead.

13. ST300 Automatic Instant Tea Brewer Installation Precautions

- Power Requirement
 - Uses 220V single-phase power
 - Equipped with a 20A circuit breaker (non-fuse type)
- Water Inlet Pipeline
 - Uses a 1/4-inch RO pipe for water intake
- Water Quality Recommendations
 - TDS value should be maintained below 80 (No cleaning process required)
 - You can choose one of the following methods to achieve this:
 - (1) RO Filter (Typically reduces TDS below 20)
 - (2) Water Softener
 - (3) Scale-Inhibiting Filter Cartridge
 - (4) Filter Performance & Replacement Cycle
 - Please be aware to the effective filtration capacity of the filter and replace it periodically based on actual usage.
 - Example: Everpure MH2 (Designed for scale inhibition)
Effective filtration capacity: 9,000 gallons / 34,068 liters
If the equipment uses 5 liters per time, it theoretically lasts approximately 6,813 times. Actual replacement cycle depends on water quality and usage frequency.

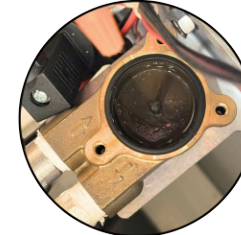
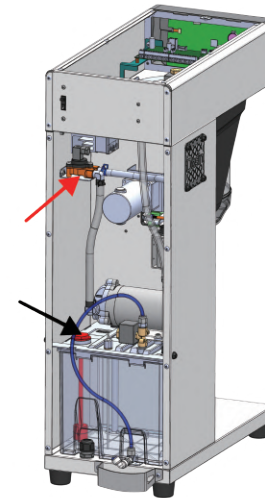
14. Consumable Parts Replacement – Heating Plate Replacement Procedure

1. Remove the upper back panel and rear panel, as indicated by the red arrows in the illustration.
2. Detach the heater's silicone tube/clamp, terminal head, and screws, as shown by the red arrows in the illustration. Replace with a new part, then reinstall the removed components in order. The replacement procedure is now complete.

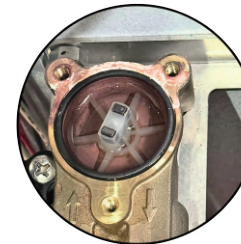


15. Full Machine Piping System Cleaning (Recommended after replacing the heating plate)

1. First, drain 2000 cc of water (refer to page 13 “Water Tank Drainage” instructions).
2. Remove the float switch (see left-side illustration, black arrow). Pour diluted citric acid solution into the float switch opening (ratio: 140 g citric acid + 1000 cc water, fully dissolved).
3. Turn on the power to start water intake. Once the tank is full, the citric acid solution will circulate inside the piping for cleaning.
4. Turn off the water source switch, then empty the water tank. Repeat the same procedure twice.
5. Turn on the water source switch, then proceed with the normal tea-brewing process. Brew two rounds of 5000 cc hot tea to complete the cleaning process.



Solenoid valve before cleaning



Flowmeter following cleaning

6. Cleaning Timing

After each heating plate replacement, it is recommended to refer to the previous heating plate's service life and perform piping cleaning earlier to help extend the new heating plate's lifespan.

(For example, if the heating plate normally wears out in two years, conduct piping cleaning about 1.5 years after replacement.)

You may also check the flowmeter for scale buildup (see right-side illustration, red arrow; the flowmeter is an easily removable part and can be inspected by removing only three screws—refer to the bottom-right illustration).

If scale is present, this indicates that invisible areas such as the solenoid valve (see top-right illustration) may also have scale deposits.

